

Item L9477

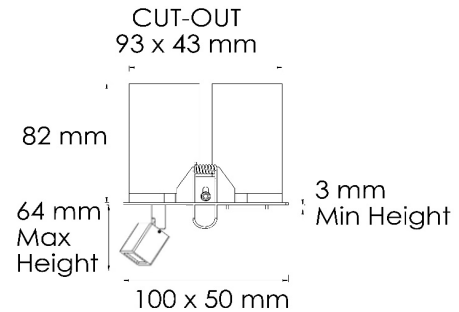
Adjustable Downlight For Interior

IP40



DESCRIPTION

An innovative luminaire for interior with a rotating, retractable, directional system, 2 square light modules combining functions according to their positions. A museum like lighting system, achieving a wide range of effects either on walls, objects, art works.



Trim Ring Material

ALUMINIUM

Power

2 X 4 W

Luminaire lumens output

≈1000 LM

Trim Ring Finish

ANY

Voltage forward

2 X 12 V

Colour Rendering Index

90 CRI - OTHERS ON
REQUEST

Body Material

ALUMINIUM

Driver

10-30V DC / 220V (Not Included)

Colour Temperature

3000K - OTHERS ON
REQUEST

Mounting Method:

SPRINGS

Dimmable

ON REQUEST

Beam angle Output

36°



Information provided with this may be subjecte to change any time without notice

